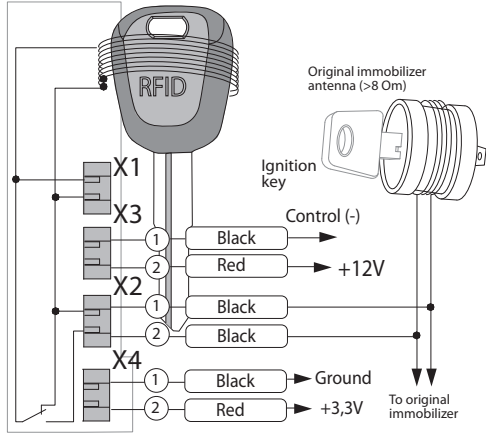


WIRING DIAGRAM

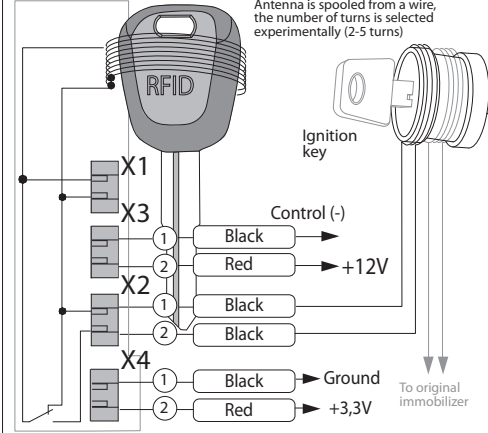
Option 1

Resistance of original immobilizer antenna >8 Om



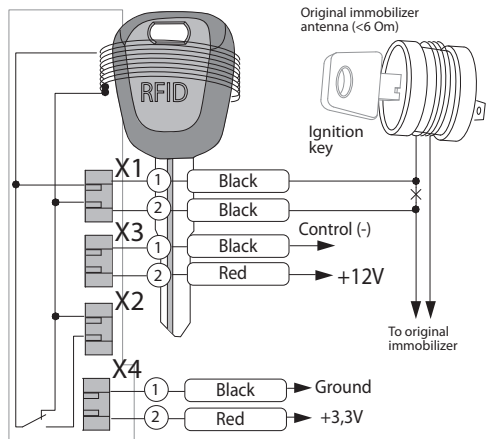
Option 2

Resistance of original immobilizer antenna <6 Om



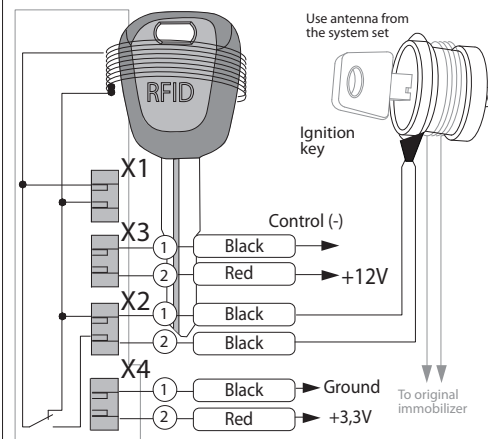
Option 3

Resistance of original immobilizer antenna <6 Om



Option 4

Resistance of original immobilizer antenna >8 Om



SYSTEM SET

- | | | | |
|---------------------------------------|---|---|---|
| 1. Base unit of module DI-03 | 1 | 6. Tie 450 mm | 2 |
| 2. Loop antenna 60 mm with wire | 1 | 7. Cushion of foam rubber 10x11x20 mm | 1 |
| 3. Loop antenna | 1 | 8. Double-sided adhesive tape 50x50 | 1 |
| 4. Power cable | 1 | 9. User manual | 1 |
| 5. Tie 120 mm | 2 | | |



The quality management system of the manufacturer is certified in accordance with IATF 16949: 2016, ISO 9001:2015

v 1.2

pandorainfo.com
contact@pandorainfo.com



Module for temporary switching off original transponder immobilizer
*with code channel

DI-03*

Assignment

WARNING! THIS MODULE IS DESIGNED TO WORK ONLY WITH PANDORA SECURITY SYSTEMS!

Module DI-03 is designed to temporary switch off most types of original transponder immobilizer of modern cars (RFID-system) to provide system operation of automatic and remote engine start. For module installation and operation a spare ignition key is needed; it can be ordered from authorized car dealer. Code channel from microchip that is integrated in the key will be sent to antenna of original security system via DI-03.

Installation

- Open body ①.
- Put a spare key ② by transponder microchip inside of flat loop antenna ③ inside module. Securely fasten the key with plastic ties that are supplied with the system by sliding them through eyelets ④. If it is required, use cushions made of foam rubber that are shipped with the system.
- If key size does not allow to place it inside of module body, use the constructively provided opportunity to cut out sides of bodies ⑤ and ⑥.
- Put switching cables that are shipped with the system to corresponding sockets ⑦ (depend on selected installation scheme, see overleaf). Cables should extend from the body through slots ⑧.
- Fasten the device under the dashboard or other protected place via clamps using slots ⑨ or via screws through the aperture ⑩ and additional ones ⑪ and ⑫. Module can be installed in car engine compartment.
- Fasten external flexible loop antenna ⑬ on the cylinder of the ignition key ⑭. To improve the signal transmission, place antenna of module DI-03 as close as possible to original RFID antenna.
- Perform switching of the module according to one of the provided installation schemes.
- Connect red wire of X-3 socket to +12V of the ignition key.
- Connect black wire to the code output of Pandora security system (OUT-4 - green by default).

Programming

- After connecting module, it should be programmed to the system base unit. To do this, the following actions should be performed:
- Enter programming mode of Pandora security system and ENABLE control over code relay (see details in User manual of Pandora service-security system).
 - Switch on the ignition twice (with pause no less than 2 seconds). If programming procedure was successful, module relay will be switched on for a second time. If relay is not switched on, repeat programming procedure.
 - Open (cut) jumper ⑬ 'PROGRAMMING'.

Additional features

Module DI-03 has output 3,3V - active transponder tags (keys) power. Voltage on X-4 socket appears when 'IGNITION' channel is being switched on and disappears when this channel is switched off.

